

**24 INCH COUNTER DEPTH BOTTOM-FREEZER REFRIGERATOR****BRFB1044SS / BRFB1044WH****ENERGY STAR 2020**
Emerging Technology Award**Fridge Features**

- Duo Cycle Cooling
- Finger print free stainless steel
- Interior LED lighting
- Field reversibility of doors

Freezer Features

- 3 freezer drawers

Dimensions

- H x W X D: 68 5/8" x 23 7/16" x 24 7/16"
Depth is with door / without handles

CONTROLS

Cooling system	Duo Cycle Frost Free Cooling
Control system	Mechanic Control

CAPACITIES

Total net volume, cu.ft	10.34 cu.ft
Fresh food net volume, cu.ft	6.85 cu.ft
Freezer net volume, cu.ft	3.49 cu.ft

FRIDGE FEATURES

Auto defrost	Yes
Inner illumination	LED - Ceiling
Shelves	3 Safety Glass
Crispers	1
Door racks	3
Compressor	Variable Speed VCC
Fan ventilation	Yes

FREEZER FEATURES

Auto defrost	Yes
Number of freezer drawers	3
Ice cube tray	Yes

TECHNICAL INFORMATION

Supply voltage, V/Hz	120V, 60Hz
Rated Current, A	4A
Noise level, dBA	43dBA

DIMENSIONS

HxWxD, in	68 5/8" x 23 7/16" x 24 7/16"
Product weight, lbs	143 lbs.
HxWxD, cm	175.4 x 59.5 x 65
Product weight, kg	65 kg

PERFORMANCE

Annual energy consumption, kwh/year	302 kwh/year
Cooling gas	R600a

2020 ENERGY STAR®
Emerging Technology Award

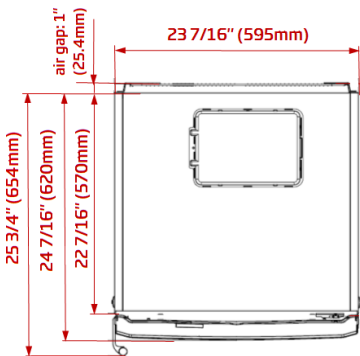
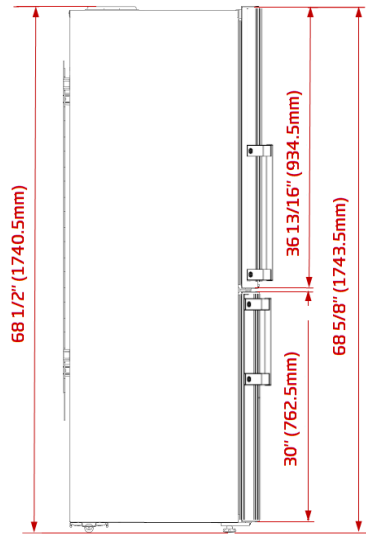
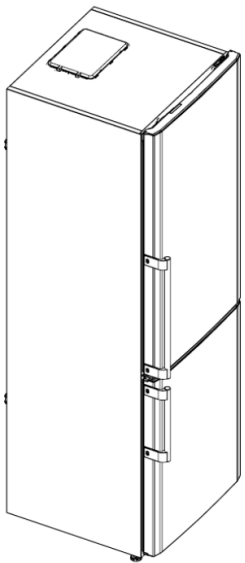
For the Advance Adaptive Compressors which help protect the environment while offering the consumer new ways to save energy while using low GWP refrigerant and foam.

COLOR OPTIONS

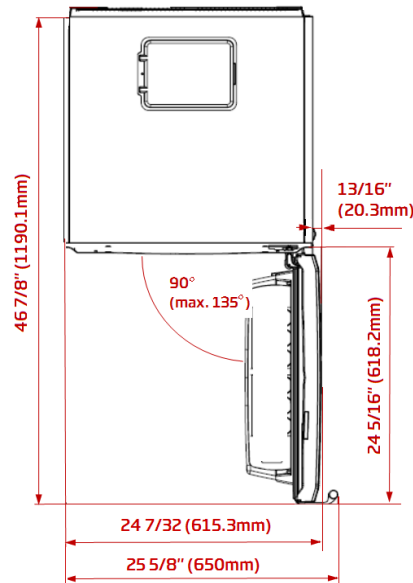
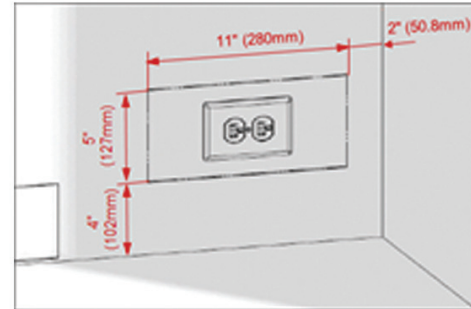
Stainless Steel	BRFB1044SS
White WH	BRFB1044WH

**24 INCH COUNTER DEPTH BOTTOM-FREEZER REFRIGERATOR**

BRFB1044SS / BRFB1044WH

Dimensions and Installation

*Drawers can be pulled out with door open 90°

**Electrical**

DIMENSIONS	Height to top of door, in.	68 5/8"
	Height to top of hinge, in.	68 5/8"
	Height to top of case, in.	68 1/2"
	Case depth without door, in.	22 7/16"
	Case depth less door handle, in.	24 7/16"
	Case depth with door with handle, in.	25 3/4"
	Depth with fresh door open 90°, in.	46 7/8"
	Width, in.	23 7/16"
AIR GAP CLEARANCES	Width with door open 90° including door handle, in.	25 5/8"
	Each Side, in.	1/8"
	Top, in.	1"
	Back, in.	1"

NOTE TO THE INSTALLER: All height, width and depth dimensions are shown in inches (as well as metric). Beko US Inc. reserves the absolute and unrestricted right to change product materials and specifications, at any time, without notice. Please visit our website www.blombergappliances.com or call 888-352-2356 to verify the latest specifications with final dimensional data and other details prior to installation and making a cutout. Applicable product limited warranty information may be found in accompanying product materials or you may contact your account manager for further details. Proper installation is the responsibility of the installer. Product failure due to improper installation is not covered under the Limited Warranty.