



IN HARMONY WITH NATURE,  
YOUR LIFE, AND YOU.

**Blomberg**  
seit 1883

## 24" Tall Tub, Top Control Dishwasher

DWT81900 SERIES

Color Options: DWT81900SS Stainless Steel  DWT81900FBI Panel Ready 



### FEATURES

- Touch Control
- 9 Programs
- 5 Functions
- Silent Operation: 39 dBA
- Full-size 3<sup>rd</sup> Rack
- Inner Illumination
- Self-cleaning Filter
- Connectivity through HomeWhiz
- Flexible Rack Loading
- Adjustable Feet and Self-adjustable Hinge

### FINISH

Fingerprint-free Stainless Steel

### DIMENSIONS (H x W x D)

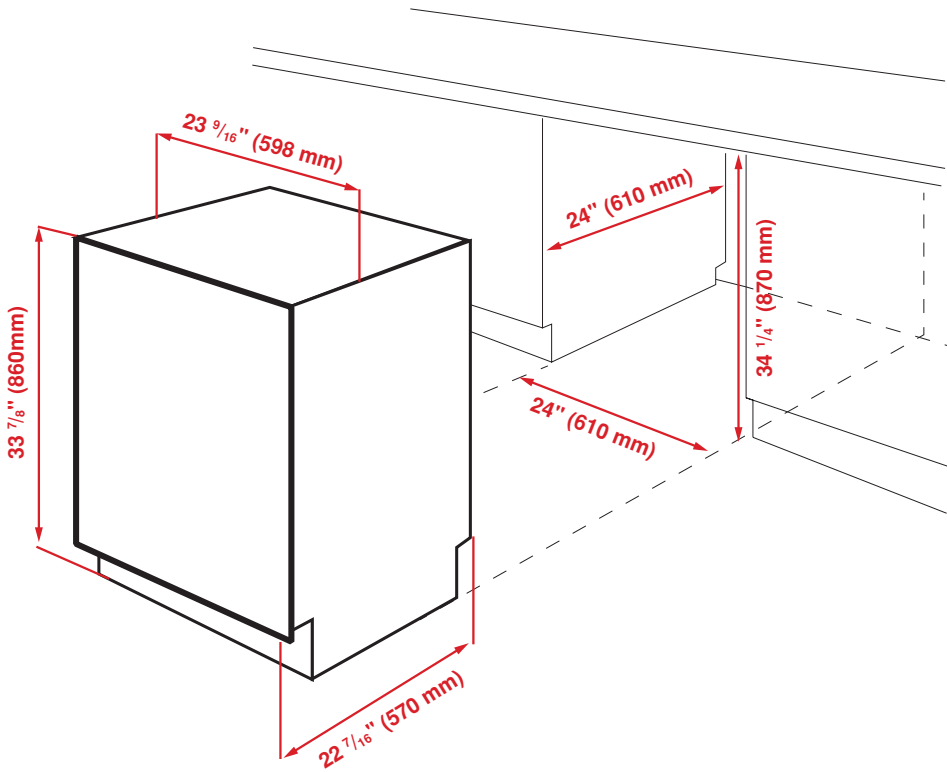
33<sup>7</sup>/<sub>8</sub> x 23<sup>9</sup>/<sub>16</sub> x 22<sup>7</sup>/<sub>16</sub> in.

CONTROLS	
Control Type	Electronic Direct Access Touch Control
Position	Top
MAIN FEATURES	
Loading Capacity (Place Settings)	16
Tub Material	Stainless Steel
Interior Illumination	Top
DMFS Overflow Protection	Overflow Safety
5 Level Wash	Yes
Delay Timer	1/2 – 24 hours
Drying System	Closed Fan Drying System
Brushless DC™ Motor	Yes
Turbidity Sensor	Yes
Silent Operation	39 dBA
All-in-1 Tablet Function	Yes
Self-cleaning Filter	Yes
Interior High Loop with Air Gap	Yes
Detergent Dispenser Type	Sliding Lid
FUNCTIONS	
Half Load Function	Yes
Sanitize Function	Yes
SuperGloss Function	Yes
RapidClean Function	Yes
PowerWash Function with Extra	Yes
PROGRAMS	
Number of Programs	9
Pots and Pans+ (167°F)	Yes
Auto Program (131 – 149°F)	Yes
MixWash+ (131 – 149°F)	Yes
Regular Wash (142 – 145°F)	Yes
Express Dry	Yes
GlassCare	Yes
Quick Wash (131°F)	Yes
Rinse & Hold	Yes
Download Cycle	Yes
DISPLAY	
Rinse Aid Indicator	Yes
LED Spot	Yes
Connectivity	WiFi
RACK SYSTEM	
SmartFold Lower Rack Folding Tines	8
Cutlery Basket	Sliding
Upper Rack (Inset Shelves)	4 Wire Shelves
SmartFold Upper Rack Folding	6
Adjustable Upper Rack	3 Positions, Adjustable When Loaded
3 <sup>rd</sup> Rack	Full-size
Lower Basket Wine Glass Holder	Yes
Detergent Dispenser Type	Sliding Lid
DIMENSIONS (DWT81900SS)	
H x W x D	33 <sup>7</sup> / <sub>8</sub> x 23 <sup>9</sup> / <sub>16</sub> x 22 <sup>7</sup> / <sub>16</sub> in. (86.1 x 59.8 x 57)
Product Weight	99.2 lb. (45 kg)
Packed H x W x D	35 x 25 <sup>3</sup> / <sub>8</sub> x 26 in. (88.9 x 64.4 x 66.1 cm)
Packed Weight	105.82 lb. (48 kg)
ENVIRONMENTAL STANDARDS	
ENERGY STAR® Qualified	Yes
Energy Consumption	225 kWh / year
Water Consumption	2.4 – 4.7 gal. / cycle

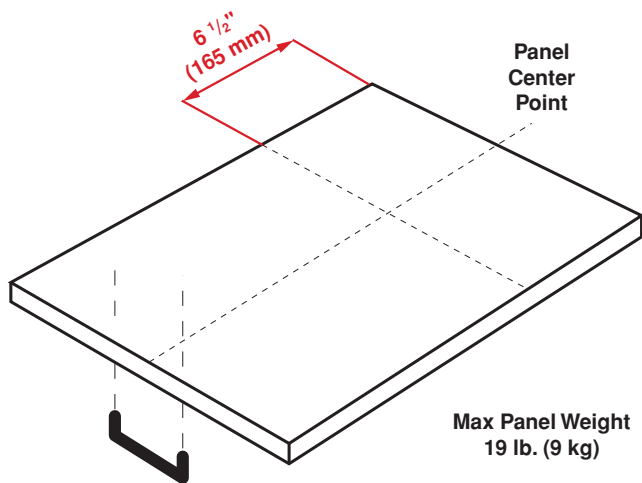
888.352.2356 | BlombergAppliances.com

© 2018 Beko U.S., Inc. 11/27/18

**Blomberg**  
seit 1883



**Panel Ready Recommended Door Panel Size and Thickness:**



DIMENSIONS (DWT81900SS)	
H x W x D	33 7/8 x 23 9/16 x 22 7/16 in. (86.1 x 59.8)
Product Weight	99.2 lb. (45 kg)
Packed H x W	35 x 25 3/8 x 26 in. (88.9 x 64.4 x 66.1 cm)
Packed Weight	105.82 lb. (48 kg)

DIMENSIONS (DWT81900FBI)	
H x W x D	33 7/8 x 23 9/16 x 21 27/32 in. (86.1 x 59.8)
Product Weight	99.2 lb. (45 kg)
Packed H x W	35 x 25 3/8 x 26 in. (88.9 x 64.4 x 66.1 cm)
Packed Weight	105.82 lb. (48 kg)

NOTE TO THE INSTALLER: All height, width, and depth dimensions are shown in inches (as well as metric). Beko US Inc. reserves the absolute and unrestricted right to change product materials and specifications, at any time, without notice. Please visit our website at [www.BlomborgAppliances.com](http://www.BlomborgAppliances.com) or call 888.352.2356 to verify the latest specifications with final dimensional data and other details prior to installation and making a cutout. Applicable product limited warranty information may be found in accompanying product materials, or you may contact your account manager for further details. Proper installation is the responsibility of the installer. Product failure due to improper installation is not covered under the Limited Warranty.

IN HARMONY WITH NATURE, YOUR LIFE, AND YOU.