

24 INCH TOP CONTROL DISHWASHER

DWT58500SSWS



14 place settings
8 programs
45 dBA silent operation
ENERGY STAR Most Efficient 2017
Flexible rack loading
Mixwash+
Auto wash
NSF certified function
Allin1 tablet detergent function
Fast function
Turbo fan drying
5 level wash
Flow through heater

3way euro filtering system
smartFIT front adjustable rear feet
smartBALANCE adjustable hinge system
Built-in high loop with air gap
DMFS Double motion float system
Stainless steel tank
Fingerprint-free stainless steel
Built-in water softener

Dimensions

H x W X D: 33 7/8" x 23 9/16" x 22 1/2"

In Harmony with Nature



Blomberg believes your home should be as smart as you are, in every sense of the word. That includes performing flawlessly while protecting the planet. It's a philosophy that earned us the ENERGY STAR® 2017 Partner of the Year Award and elevated this dishwasher to the 2017 ENERGY STAR® Most Efficient list, which recognizes products delivering cutting-edge energy conservation with the latest in technological innovation.

In Harmony with Your Life



Silent Operation

When your home is your sanctuary, you don't want to have to leave the room or only run the dishwasher late at night. Quality engineered with three layers of noise-suppressing insulation and advanced Brushless DC™ motor technology that optimizes working speed and lowers wash-cycle noise, Blomberg dishwashers are among the quietest on the market.



Mixwash+

During the same wash cycle, this brilliant dual water pressure program applies gentle pressure in the upper basket for delicate glass and china, plus 60-percent higher pressure in the lower basket to get even heavily soiled pots and pans thoroughly clean.

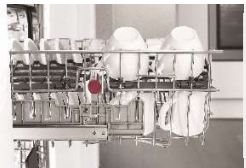
24 INCH TOP CONTROL DISHWASHER

DWT58500SSWS



Flexible Rack Loading

Designed for ultimate convenience, Blomberg dishwashers accommodate all types of dishes, cutlery, and cookware comfortably. Flexible racks, shelves, and baskets can be moved, reconfigured, or customized to meet your exact needs for each load.



FlexiRack

When the need arises, the hard-working upper rack can be raised to make room for pans, platters, and trays in the bottom rack or lowered to accommodate tall glasses up top. FlexiRack allows you to adjust the height in one simple action, even when the rack is fully loaded.



Split Flip Shelves

Maximize space, capacity, and versatility in the upper rack by flipping these smart side shelves up or down. Leave them in the up position to wash tall glasses. Flip them down to wash long utensils and espresso cups at the same time. Or do both. These special shelves are split. Flip one half down to wash two levels of short brandy glasses and leave the other half up to fit champagne flutes.



Customizable Bottom Rack

Load without limits! Create a completely flat lower rack to fit in bulky pots and pans or a custom configuration that allows the proper placement of uniquely shaped items for thorough cleaning. Simply fold down the individual tines and this multi-purpose rack can handle anything from extra-long utensils and roasters to those extra glasses and cups that didn't fit on the top rack.



Sized Right

Blomberg dishwashers are designed for today's lifestyles, including generously proportioned racks that accommodate dinner plates up to 13 inches in diameter, as well as oversized serving dishes, your favorite cooking pots, and lots of glassware.



Sliding Cutlery Basket

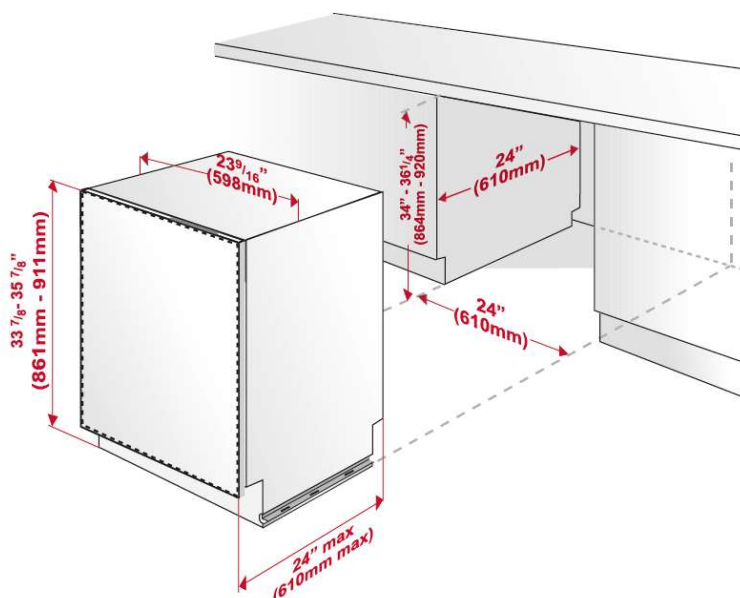
Everything fits more easily when you have options. This clever cutlery basket can be placed anywhere in the front row by sliding side to side.

24 INCH TOP CONTROL DISHWASHER

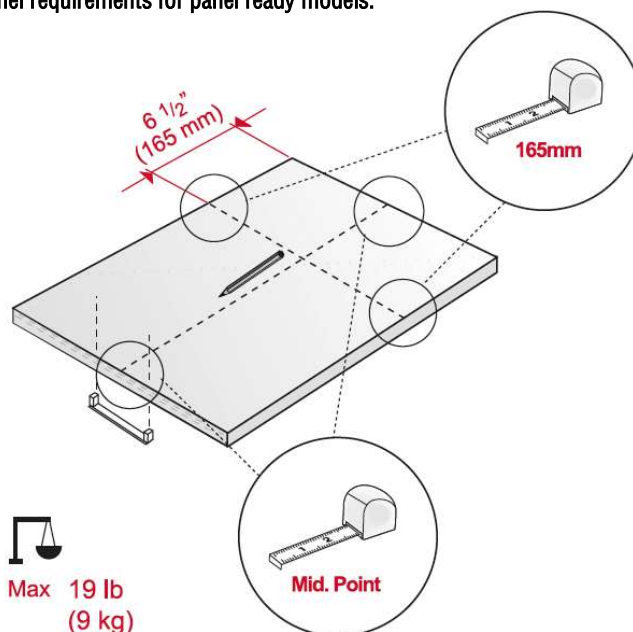
DWT58500SSWS

CONTROLS	DWT58500SSWS
Control Type	Electronic
Position	Top
MAIN FEATURES	
Loading Capacity (place settings)	14
Tub material	Stainless Steel
Inner door material	Stainless Steel
Interior illumination	No
Water Softener	Yes
DMFS overflow protection	Yes
5 level wash with 3rd spray arm	Yes
Delay timer up to 1-24 hours	Yes
3-way euro filter	Yes
Drying	Turbo Fan
Brushless DC motor	Yes
Turbidity sensor	Yes
Silence level, dBA	45 dBA
ProCare	Yes
Allin1 tablet function	Yes
1/2 Load function	Yes
Sanitize function	Yes
ExtraRinse function	No
SuperGloss function	Yes
RapidClean function	No
PowerWash function	Yes
Self-Cleaning Filter	No
SmartPIN handle	Yes
Interior high loop with airgap	Yes
Power Plug	Yes
PROGRAMS	
Number of programs	8
Pots and pans plus (167F rinse temperature)	Yes
Pots and pans (158F rinse temperature)	Yes
Auto program (131F - 149F rinse temperature)	Yes
MixWash+ (131F - 149F rinse temperature)	Yes
Regular wash (142F-145F rinse temperature)	Yes
DailyWash	No
China/crystal (149F rinse temperature)	Yes
GlassCare	No
Quick wash (131F rinse temperature)	Yes
Rinse & Hold	Yes
DISPLAY	
Program sequence	Yes/Digital Display
Rinse aid indicator	Electronic
Rinse aid indicator display	Yes
Salt indicator display	Yes
Light indicator on floor	Yes
RACK SYSTEM	
smartFOLD lower rack folding tines	Yes
Lower rack embossed stainless handle	No
Cutlery basket	Sliding
Upper rack (inset shelves)	4
smartFOLD, upper rack folding tines	Yes
FlexiRack, adjustable upper rack	Loaded
FlexiDrawer, removable 3rd rack	No
Lower basket wine glass holder	No
Nylon coated racks	Yes
DIMENSIONS	
HxWxD, in	33 7/8" x 23 9/16" x 22 1/2"
Product weight, lbs.	96
HxWxD, cm	86.1 x 59.8 x 57
Product weight, kg	44
ENVIRONMENTAL STANDARDS	
Energy Star qualified	Yes
Energy consumption, kWh/year	256
Water consumption, gal/cycle	2.91 - 6.07
RoHS compliant (Lead free)	Yes

Dimensions and Installation



Panel requirements for panel ready models:



NOTE TO THE INSTALLER: All height, width and depth dimensions are shown in inches (as well as metric). Beko US Inc. reserves the absolute and unrestricted right to change product materials and specifications, at any time, without notice. Please visit our website www.blombergappliances.us or call 888 352 2356 to verify the latest specifications with final dimensional data and other details prior to installation and making a cutout. Applicable product limited warranty information may be found in accompanying product materials or you may contact your account manager for further details. Proper installation is the responsibility of the installer. Product failure due to improper installation is not covered under the Limited Warranty.