

## 24 INCH FULL CONSOLE DISHWASHER

DW25502SS / DW25502B / DW25502W



- 14 place settings
- 5 programs
- 49 dBA silent operation
- Flexible rack loading
- NSF certified function
- Allin1 tablet detergent function
- Fast function
- 5 level wash
- Flow through heater
- 3-way filtration system
- smartFIT front adjustable rear feet
- smartBALANCE adjustable hinge system

- Built-in high loop with air gap
- DMFS Double motion float system
- Stainless steel tank
- Fingerprint-free stainless steel

### Dimensions

H x W X D: 32 ¼" x 23 9/16" x 22 ½"



## In Harmony with Nature



Blomberg believes your home should be as smart as you are, in every sense of the word. That includes performing flawlessly while protecting the planet. It's a philosophy that earned us the ENERGY STAR<sup>®</sup> 2017 Partner of the Year Award. All Blomberg dishwashers are ENERGY STAR certified for using advanced technology to clean your dishes brilliantly with less water and energy. Unique design features include multiple insulation layers to reduce thermal loss and a variable speed circulation motor that automatically adjusts for optimum water and energy consumption.

## In Harmony with Your Life



### Silent Operation

When your home is your sanctuary, you don't want to have to leave the room or only run the dishwasher late at night. Quality engineered with three layers of noise-suppressing insulation and advanced Brushless DC™ motor technology that optimizes working speed and lowers wash-cycle noise, Blomberg dishwashers are among the quietest on the market.



### Flexible Rack Loading

Designed for ultimate convenience, Blomberg dishwashers accommodate all types of dishes, cutlery, and cookware comfortably. Flexible racks, shelves, and baskets can be moved, reconfigured, or customized to meet your exact needs for each load.

#### Height-adjustable Upper Rack

When the need arises, this hard-working rack can be raised to make room for pans, platters, and trays in the bottom rack or lowered to accommodate tall glasses up top.

#### Sliding Cutlery Basket

Everything fits more easily when you have options. This clever cutlery basket can be placed anywhere in the front row by sliding side to side.

#### Split Flip Shelves

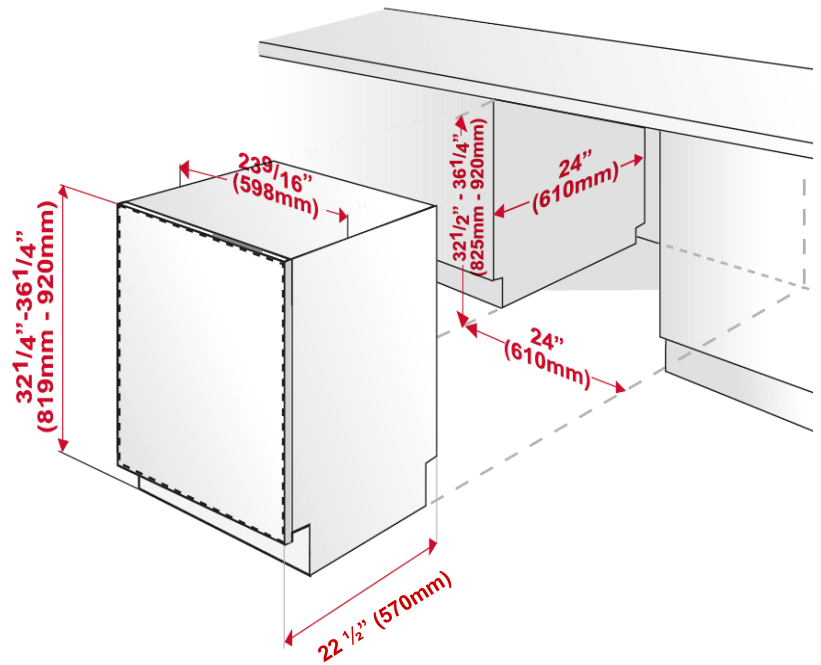
Maximize space, capacity, and versatility in the upper rack by flipping these smart side shelves up or down. Leave them in the up position to wash tall glasses. Flip them down to wash long utensils and espresso cups at the same time. Or do both. These special shelves are split. Flip one half down to wash two levels of short brandy glasses and leave the other half up to fit champagne flutes.

# 24 INCH FULL CONSOLE DISHWASHER

DW25502SS / DW25502B / DW25502W

CONTROLS	
Control Type	Electronic
Position	Front
MAIN FEATURES	
Loading Capacity (place settings)	14
Tub material	Stainless Steel
Inner door material	Stainless Steel
Interior illumination	No
Water Softener	No
DMFS overflow protection	Yes
5 level wash with 3rd spray arm	Yes
Delay timer up to 1-24 hours	Yes
3-way filtration	Yes
Drying	Condensation
Brushless DCTM motor	No
Turbidity sensor	Yes
Silence level, dBA	49 dBA
ProCare	Yes
Allin1 tablet function	Yes
1/2 Load function	Yes
Sanitize function	Yes
ExtraRinse function	Yes
SuperGloss function	No
RapidClean function	Yes
PowerWash function	No
Self-Cleaning Filter	No
SmartPINTM joint	No
Interior high loop with airgap	Yes
Power Plug	Yes
PROGRAMS	
Number of programs	5
Pots and pans plus (167F rinse temperature)	Yes
Pots and pans (158F rinse temperature)	No
Auto program (131F - 149F rinse temperature)	No
MixWash+ (131F - 149F rinse temperature)	No
Regular wash (142F-145F rinse temperature)	Yes
DailyWash	Yes
China/crystal (149F rinse temperature)	No
GlassCare	No
Quick wash (131F rinse temperature)	Yes
Rinse & Hold	Yes
DISPLAY	
Program sequence	Yes/Digital Display
Rinse aid indicator	Electronic
Rinse aid indicator display	Yes
Salt indicator display	No
Light indicator on floor	No
RACK SYSTEM	
smartFOLD lower rack folding tines	No
Lower rack embossed stainless handle	No
Cutlery basket	Sliding
Upper rack (inset shelves)	2
smartFOLD, upper rack folding tines	No
FlexiRack, adjustable upper rack	Unloaded
FlexiDrawer, removable 3rd rack	No
Lower basket wine glass holder	No
Nylon coated racks	Yes
DIMENSIONS	
HxWxD, in	32 1/4" x 23 9/16" x 22 1/2"
Product weight, lbs.	86
HxWxD, cm	81.8 x 59.8 x 57
Product weight, kg	39
ENVIRONMENTAL STANDARDS	
Energy Star qualified	Yes
Energy consumption, kWh/year	255
Water consumption, gal/cycle	3.5 - 5.0
RoHS compliant (Lead free)	Yes
OPTIONS	
Stainless Steel	DW25502SS
Black	DW25502B
White	DW25502W

## Dimensions and Installation



NOTE TO THE INSTALLER: All height, width and depth dimensions are shown in inches (as well as metric). Beko US Inc. reserves the absolute and unrestricted right to change product materials and specifications, at any time, without notice. Please visit our website [www.blombergappliances.us](http://www.blombergappliances.us) or call 888 352 2356 to verify the latest specifications with final dimensional data and other details prior to installation and making a cutout. Applicable product limited warranty information may be found in accompanying product materials or you may contact your account manager for further details. Proper installation is the responsibility of the installer. Product failure due to improper installation is not covered under the Limited Warranty.