

**24" INDUCTION COOKTOP**

CTI24310

**FEATURES**

- Three Induction Cooking Zones
- Slide Touch Control with Independent Zone Timers
- Precise temperature control with 9 cooking levels
- Power boost for reaching the highest temperature quickly and efficiently.

**GENERAL**

Size	24 "
Finish	Frameless Black Glass
Control Type	LED Display – Touch Slider
Display Lock	Yes
Control Lock	Yes
Fuel Type	Induction

**FEATURES & PERFORMANCE**

Cooking Levels	9
Zone Configuration	3 Induction
Front Left (Standard / Boost)	8" – 2,300 W / 3,700 W
Rear Left (Standard / Max. Boost)	6" – 1,400 W / 2,200 W
Right (Standard / Max. Boost)	10" – 2,600 W / 3,700 W
On/Off Light	Yes
Digital Display for Power Level Indication	Yes
Timer Display	Yes
Boost Function	Yes
Automatic Pan Detection	Yes
Residual Heat Indicators	Yes
Independent Zone Timers	Yes
Child Lock	Yes
Display Lock	Yes

**POWER / RATINGS**

Total Power Consumption	7,400 W
Volts / Frequency	220/240 V, 60 Hz
Min. Circuit Breaker Size	40 A
Electrical Connection	Flexible Conduit, 3-Wire or 4-Wire

**DIMENSIONS / WEIGHT**

Product (H x W x D) (in)	2 <sup>5</sup> / <sub>16</sub> x 23 <sup>7</sup> / <sub>12</sub> x 20 <sup>43</sup> / <sub>32</sub>
Required Cutout Size (W x D) (in)	22 <sup>1</sup> / <sub>16</sub> x 19 <sup>5</sup> / <sub>16</sub>
Product Weight (lbs)	26.45

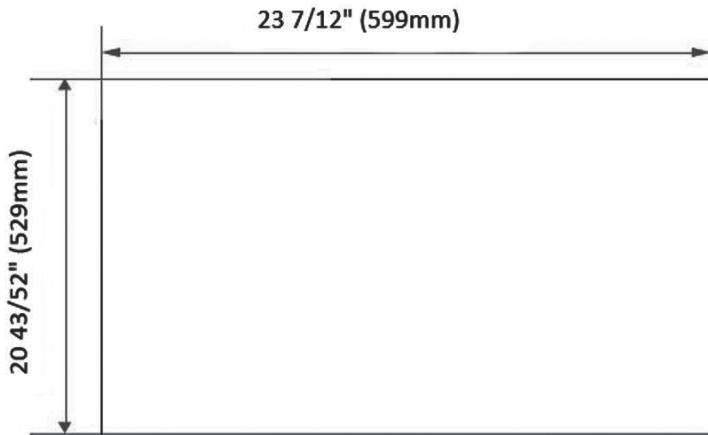


**24" INDUCTION COOKTOP**

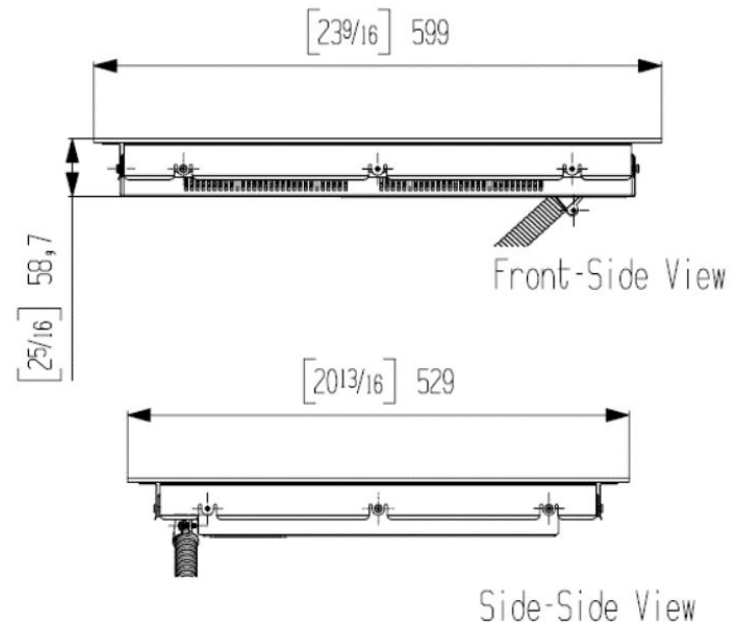
CTI24310

**Dimensions and Installation**

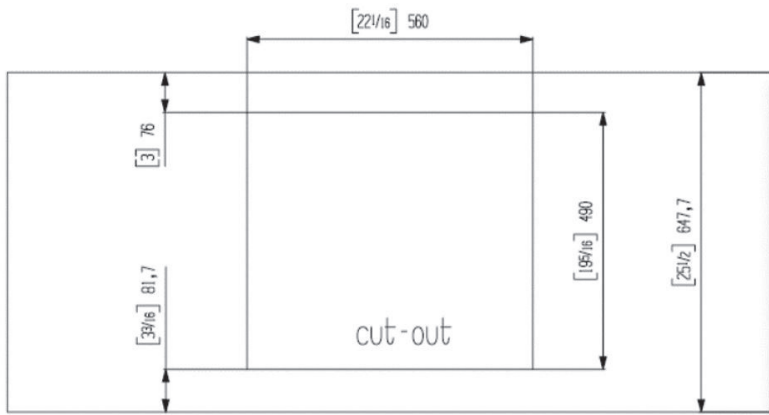
**Top**



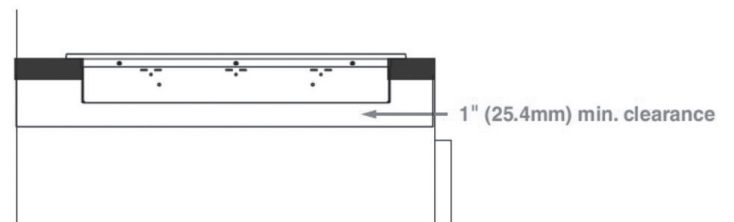
**Side-Side View & Front Side View**



**Countertop Cutout**



**Under Counter - Side View**



**NOTE TO THE INSTALLER:** All height, width and depth dimensions are shown in inches (as well as metric). Beko US Inc. reserves the absolute and unrestricted right to change product materials and specifications, at any time, without notice. Please visit our website [www.blombergappliances.com](http://www.blombergappliances.com) or call 888-352-2356 to verify the latest specifications with final dimensional data and other details prior to installation and making a cutout. Applicable product limited warranty information may be found in accompanying product materials or you may contact your account manager for further details. Proper installation is the responsibility of the installer. Product failure due to improper installation is not covered under the Limited Warranty.