



IN HARMONY WITH NATURE,
YOUR LIFE, AND YOU.

Blomberg
seit 1883

24" Gas Cooktop

CTG24400SS



FEATURES

- Four Gas Burners
- Sealed Burner
- Gas Safety Device
- 15,000 BTU Power Burner with Simmering
- Cast Iron Pan Supports
- Integrated Ignition
- Front Knob Control without Illumination
- Griddle (Optional Accessory)

FINISH

High Grade Stainless Steel

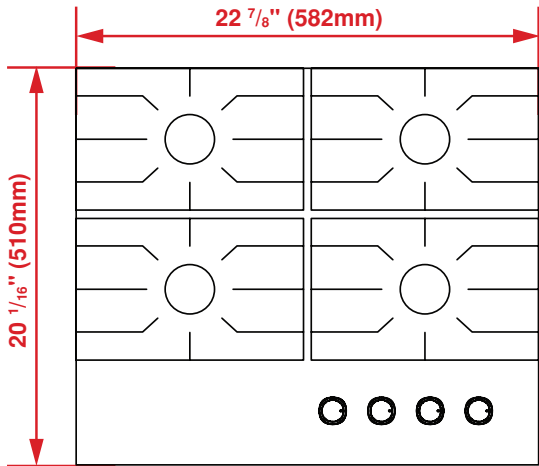
DIMENSIONS (H X W X D)

1 13/16" x 22 7/8" x 20 1/16" in.

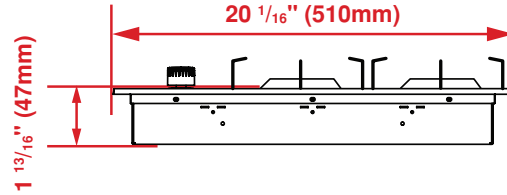
GENERAL	
Glass Type	N/A
Size	24"
Color	Stainless Steel
Heating Technology	Gas
Stainless Steel Frame	Yes
Control Type	Front Knob Control
GAS BURNER FEATURES	
Sealed Burner	Yes
Reignition Controlled Burners	N/A
Gas Safety Device	Yes
19,000 BTU Power Burner with Simmering Feature	N/A
15,000 BTU Power Burner with Simmering	Yes
Cast Iron Continuous Grates	Yes
ACCESSORY	
Griddle Pan	Yes
STANDARD POWER	
Front Left	12,000 BTU
Front Right	10000 BTU
Rear Left	6000 BTU
Rear Right	6000 BTU
Center	N/A
DIMENSIONS	
Required Cutout Dimension (H x W x D)	1 13/16" x 22 7/8" x 20 1/16" in.
Overall Height	1 13/16" in.
Overall Width	22 7/8" in.
Overall Depth	20 1/16" in.
Weight	25.35 lbs
POWER / RATINGS	
KW / Amps Rating at 240 V, 60 Hz	110-120 V, 60 Hz
Supply Cord	Yes
Plug Type	N/A



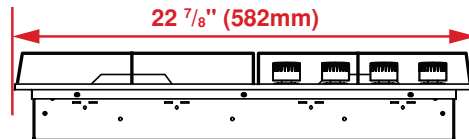
Top



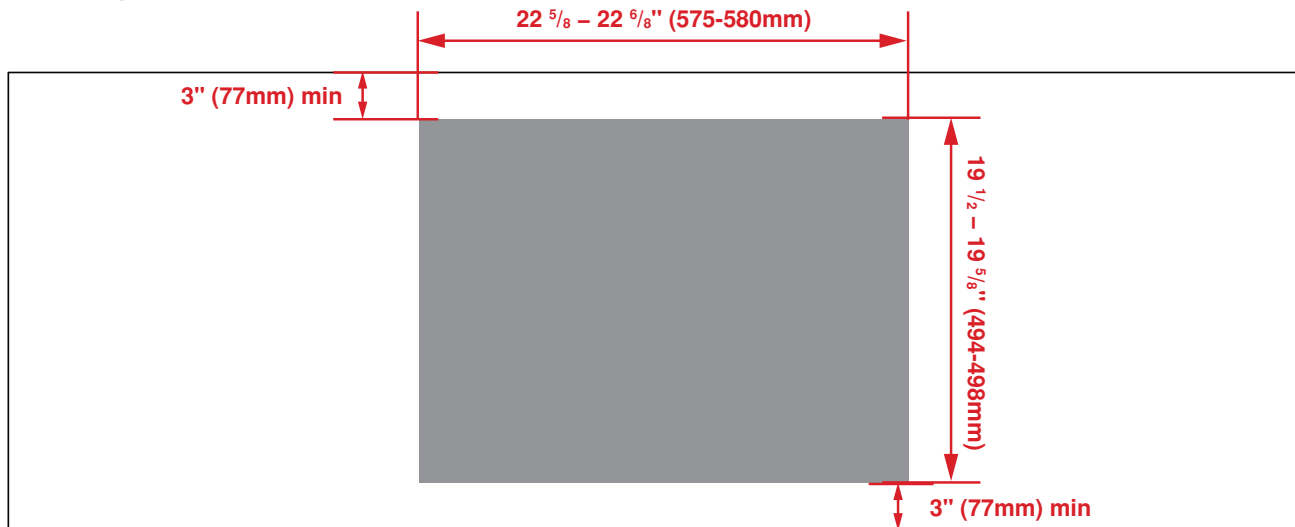
Side – Side View



Front – Side View



Countertop Cutout



NOTE TO THE INSTALLER: All height, width and depth dimensions are shown in inches (as well as metric). Beko US Inc. reserves the absolute and unrestricted right to change product materials and specifications, at any time, without notice. Please visit our website www.beko.us or call 888 352 2356 to verify the latest specifications with final dimensional data and other details prior to installation and making a cutout. Applicable product limited warranty information may be found in accompanying product materials or you may contact your account manager for further details. Proper installation is the responsibility of the installer. Product failure due to improper installation is not covered under the Limited Warranty.

IN HARMONY WITH NATURE, YOUR LIFE, AND YOU