

## 24 INCH FREESTANDING GAS RANGE

BGR24100SS



### Cooktop

- 4 gas burners
- Easy to clean enamel burner plate
- Electronic ignition knob integrated
- Flame failure safety device
- Cast iron pan supports

### Range

- Large oven capacity 2.51 cu. ft.
- 2 Wire Oven Racks
- Easy to remove side racks
- Gas safety valve
- Easy Clean gray enamel
- Interior lighting
- Adjustable feet
- LPG conversion kit

### Accessories

- Side trim kit optional

### Dimensions

- H x W X D: 36" x 23 9/16" x 25 3/4"
- Depth includes knobs & handle

## In Harmony with Your Life



### Large Oven Capacity

Blomberg knows you can never have too much room in your oven, even if there's not a lot of room in your kitchen. That's why we engineered a generous 2.51 cu. ft. oven capacity into our 24-inch range.



### Flame-failure Safety Device

All Blomberg 24-inch gas ranges are designed to be intelligent and safe as well as stylish and efficient. Cooking burners are equipped with a flame failure safety device that automatically cuts off the gas supply should a gust of wind, a spill, or a boil-over extinguish the burner flame at any time during cooking.



### Easy Clean Gray Enamel

Blomberg 24-inch oven cavities are coated with a long-lasting, nonporous, gray enamel finish that is not only attractive but also extremely easy to clean. Just a simple wipe with a damp cloth is all it takes to remove fresh spills and keep your oven looking like new.



### Gas Safety Valve

All Blomberg gas ranges feature oven broilers equipped with a gas safety device that automatically cuts off the gas supply if it senses the broiler flame has been accidentally extinguished during cooking.

## 24 INCH FREESTANDING GAS RANGE

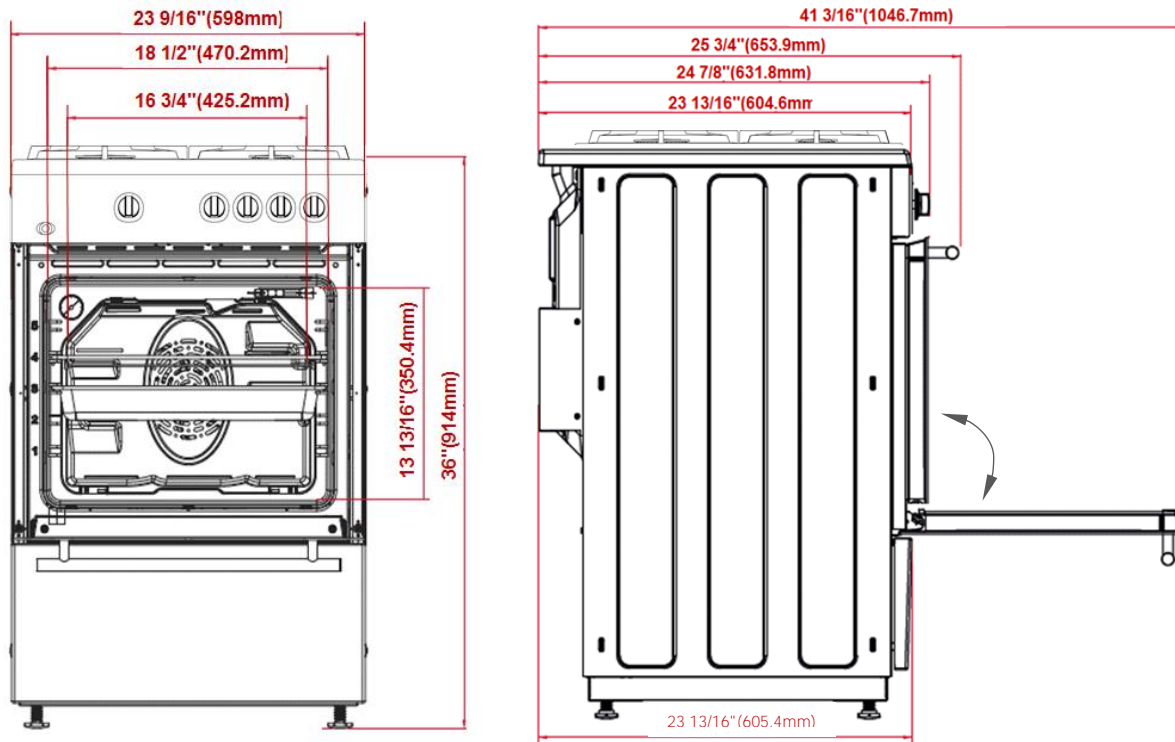
### BGR24100SS

GENERAL	BGR24100SS
Type	Freestanding
Size	24"
Color	Stainless Steel
Side Walls	Black
Control type	Mechanical Control
FUNCTIONS	
Multi-dimensional Cooking	No
Convection Cooking	No
Bottom Heater	Yes
Convection	No
Broiler	No
Broil	Gas
Convection broiler	No
Convection roast	No
True European convection	No
SPECIAL FEATURES	
12/24-hour clock format	-
Splash Back	No
Island Trim	No
Simmering	No
Cooling Fan	No
Cavity Enameling Color	Gray
Oven Lights	1 x Round light
Adjustable Feet	Yes
Anti-tip (tilting) bracket	Yes
Bottom Compartment	No
Fuel Type	NG
LPG Conversion Kit	Yes
OVEN DOOR(S)	
Oven Glass Window	Full Glass
Door Cooling System	2 Pane Heat Resistant Glass(fixed)
Net Capacity cu. ft.	2.51 cu. ft.
Bottom Heating Element Wattage	-
Upper Heating Element Wattage	-
Convection Element Wattage	-
Low Grill (Broil)	-
Grill (Broil)	-
ACCESSORIES / OVEN CAVITY	
Rack Positions	5 levels
Telescopic Pull-out Shelf System	-
Pyrolytic Self Cleaning	No
Sabbath Mode	No
Broiler Pan	No
Wok adapter	-
Chromed racks	2
COOKTOP	
Zone Configuration	4 Gas
Front Left	10,000 BTU
Rear Left	7,000 BTU
Front Right	3,500 BTU
Rear Right	7,000 BTU
Central	-
Pan Support Type	Continuous cast iron
Pan Support Quantity	2
Gas Safety Device for hob	Yes
Gas Safety Device for oven	Yes
DIMENSIONS/WEIGHT	
Required cutout dim (H x W x D) (in)	36" x 24" x 24"
Overall dim - height	36"
Overall dim - width	23 9/16"
Overall dim - depth	25 3/4"
Weight (lb./kg)	149.5 lbs/68 kg
POWER / RATINGS	
KW/Amps rating at 240V, 60Hz	110-120V 60Hz
Supply Cord & Plug	USA-Canada
Cable	Yes
INSTRUCTIONS FOR USE	
Use & Care Manual	EN, SP, FR
Installation Manual	EN, SP, FR

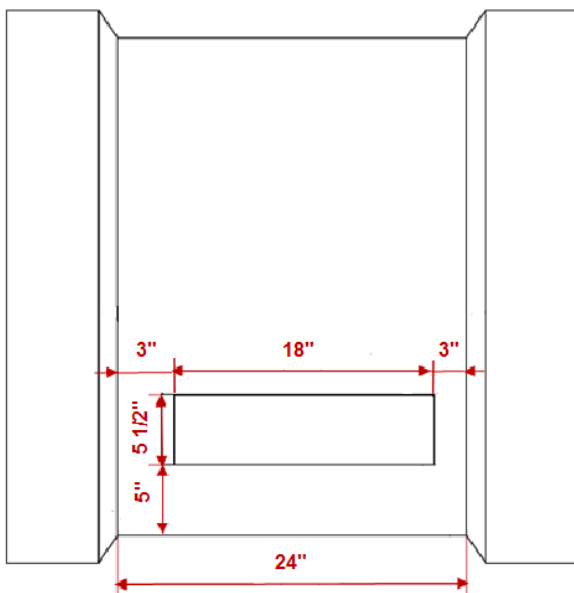
## 24 INCH FREESTANDING GAS RANGE

BGR24100SS

### Dimensions and Installation



Cabinet



Required minimum air gap clearances: 1/4" sides

NOTE TO THE INSTALLER: All height, width and depth dimensions are shown in inches (as well as metric). Beko US Inc. reserves the absolute and unrestricted right to change product materials and specifications, at any time, without notice. Please visit our website [www.blombergappliances.us](http://www.blombergappliances.us) or call 888 352 2356 to verify the latest specifications with final dimensional data and other details prior to installation and making a cutout. Applicable product limited warranty information may be found in accompanying product materials or you may contact your account manager for further details. Proper installation is the responsibility of the installer. Product failure due to improper installation is not covered under the Limited Warranty.