

**24 INCH FREESTANDING ELECTRIC RANGE****BERC24202SS / BERU24202SS****Large Oven Capacity**

Blomberg knows you can never have too much room in your oven, even if there's not a lot of room in your kitchen. That's why we engineered a generous 2.51 cu. ft. oven capacity into our 24-inch range.

**Easy Clean Gray Enamel**

Blomberg 24-inch oven cavities are coated with a long-lasting, nonporous, gray enamel finish that is not only attractive but also extremely easy to clean. Just a simple wipe with a damp cloth is all it takes to remove fresh spills and keep your oven looking like new.

**Easy-to-remove****Side Rack Supports**

Blomberg thought of everything when it came to easy oven cleaning. Ovens are equipped with hand removable wire rack support tracks. Just pop them out for effortless access to the oven sidewalls and a truly thorough cleaning.

**Interior Lighting**

For full visibility while baking, braising, and roasting, Blomberg ovens feature bright interior lighting, including cylindrical lamps placed on the rear wall, and a non-reflective enamel surface that reduces glare on the glass oven door.

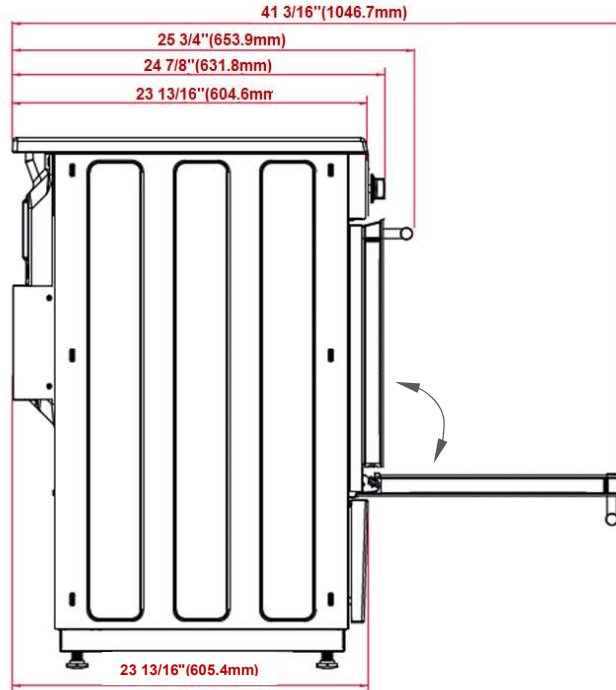
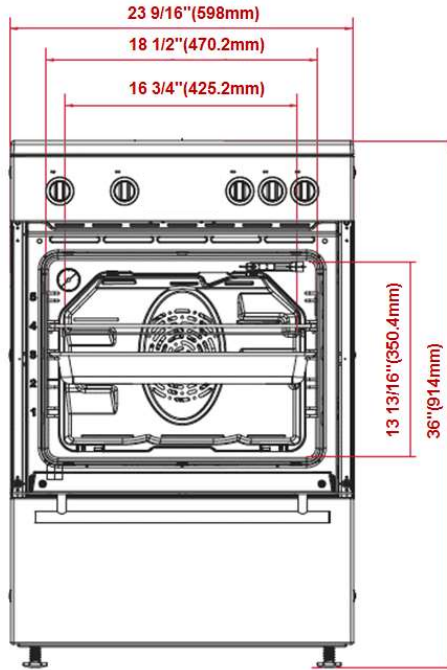
GENERAL	
Type	Freestanding
Size	24"
Finish	Stainless Steel
Side Walls	Black
Control Type	Knob Control
Burner Color	Black
Knob Color	Stainless Steel
Fuel Type	Electric
FUNCTIONS	
True European Convection	Yes
Bake	Yes
Broil	Electric
FEATURES	
Oven Rack Positions	5
Oven Enamel Color	Gray
Interior Illumination	1 x Halogen Light
Adjustable Feet	Yes
Bottom Compartment	Storage Drawer
Oven Glass Window	Full Glass
Door Cooling System	3 Pane Heat Resistant Glass(fixed)
COOKTOP	
Burner Configuration	4 Vitroceramic
Front Left	7" - 1800 W
Rear Left	5.5" - 1200 W
Front Right	5.5" - 1200 W
Rear Right	7" - 1800 W
Simmering	2.5 cu. ft.
Residual Heat Indicator	Yes
Display Lock	Yes
ACCESSORIES	
Island Trim	Included
Splash Back	Optional
Anti-Tip Bracket	Yes
Chromed Wire Racks	2
POWER RATINGS	
Volts / Frequency	120-240V 60Hz
Min. Amps (A)	40 A
Power Cord	4 prong power supply cord for Canadian Model (BERC24202SS) & Purchased seperately for USA Model (BERU24202SS)
Plug Type	USA (Canadian Model_(BERC24202SS))
Bottom Heating Element	1200W
Upper Heating Element Outer:	2200W
Broil Power Consumption	Low Grill (Broil) 1100W / Grill (Broil) 2200W
DIMENSIONS/WEIGHT	
Required Cutout Dimensions - (H x W x D) Inches	36" x 24" x 24"
Product Dimensions - (H x W x D) Inches	36" x 23 ⁹ / ₁₆ " x 25 ³ / ₄ "
Product Dimensions - (H x W x D) cm	90 x 60 x 60.4 cm
Product Weight - lbs / kg	153 lbs / 69.5 kg



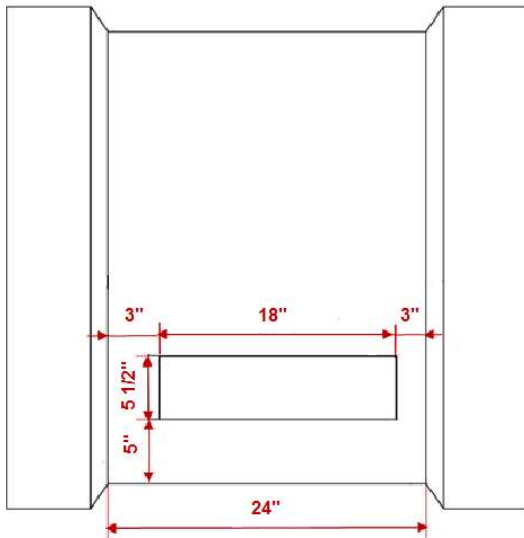
24 INCH FREESTANDING ELECTRIC RANGE

BERC24202SS / BERU24202SS

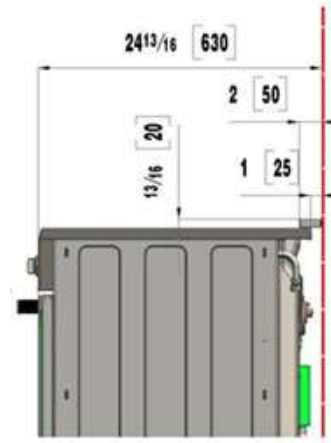
Dimensions and Installation



Cabinet



Island Trim



Island trim: standard comes with the range un-attached.
4" High Stainless Splash Back (optional)

Required minimum air gap clearances: 1/4" sides

NOTE TO THE INSTALLER: All height, width and depth dimensions are shown in inches (as well as metric). Beko US Inc. reserves the absolute and unrestricted right to change product materials and specifications, at any time, without notice. Please visit our website www.blombergappliances.com or call 888-352-2356 to verify the latest specifications with final dimensional data and other details prior to installation and making a cutout. Applicable product limited warranty information may be found in accompanying product materials or you may contact your account manager for further details. Proper installation is the responsibility of the installer. Product failure due to improper installation is not covered under the Limited Warranty.