

## 24 INCH FREESTANDING ELECTRIC RANGE

BERU24200SS / BERG24200SS



### Cooktop

4 electric cooking zones  
Residual heat indicator

### Range

Large oven capacity 2.51 cu. ft.  
Flip down storage cover  
2 Wire oven racks  
Easy to remove side racks  
Easy Clean gray enamel  
Interior lighting  
Adjustable feet

### Accessories

Side trim kit optional  
Splash back optional

### Dimensions

H x W X D: 36" x 23 9/16" x 25 3/4"  
Depth includes knobs & handle

## In Harmony with Your Life



### Large Oven Capacity

Blomberg knows you can never have too much room in your oven, even if there's not a lot of room in your kitchen. That's why we engineered a generous 2.51 cu. ft. oven capacity into our 24-inch range.



### Easy Clean Gray Enamel

Blomberg 24-inch oven cavities are coated with a long-lasting, nonporous, gray enamel finish that is not only attractive but also extremely easy to clean. Just a simple wipe with a damp cloth is all it takes to remove fresh spills and keep your oven looking like new.

### Easy-to-remove Side Rack Supports

Blomberg thought of everything when it came to easy oven cleaning. Ovens are equipped with hand-removable wire rack support tracks. Just pop them out for effortless access to the oven sidewalls and a truly thorough cleaning.



### Interior Lighting

For full visibility while baking, braising, and roasting, Blomberg ovens feature bright interior lighting, including cylindrical lamps placed on the rear wall, and a non-reflective enamel surface that reduces glare on the glass oven door.

## 24 INCH FREESTANDING ELECTRIC RANGE

### BERU24200SS / BERC24200SS

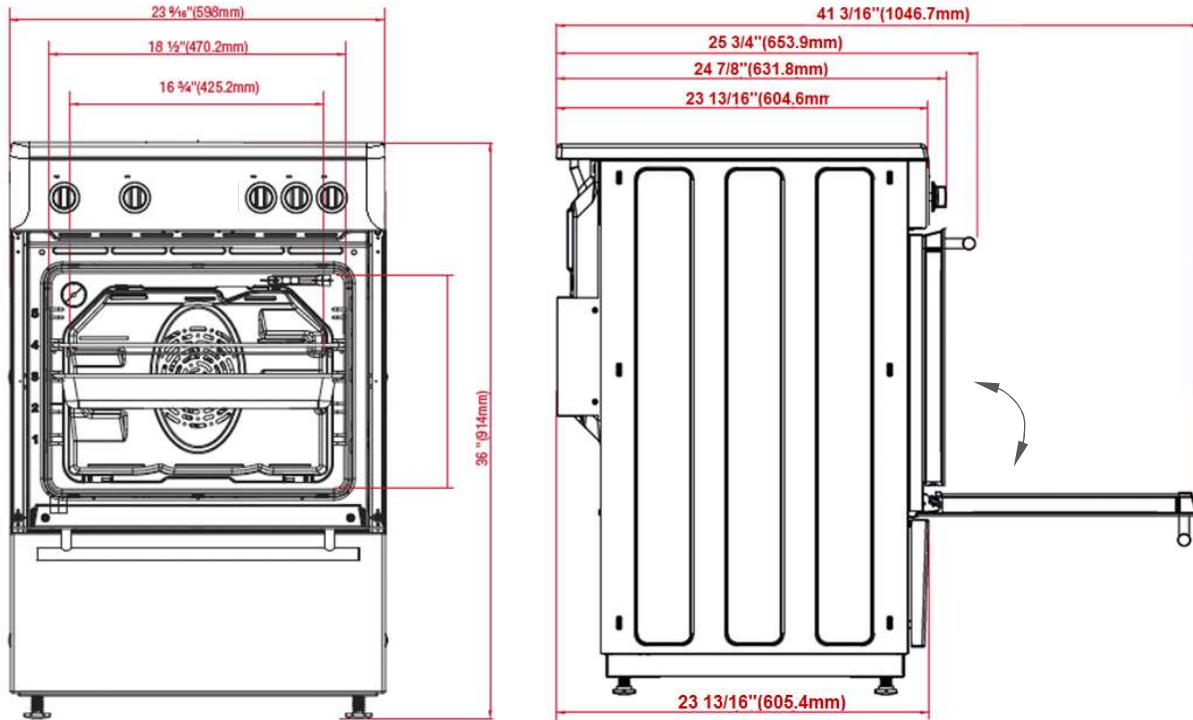
GENERAL	BERU24200SS / BERC24200SS
Type	Freestanding
Size	24"
Color	Inox
Side Walls	Black
Control type	Knob control
FUNCTIONS	
Multi-dimensional Cooking	No
Convention Cooking	Yes
Bottom Heater	Yes
Convection	No
Broiler	No
Broil	Electric
Convection broiler	No
Convection roast	No
True European convection	No
SPECIAL FEATURES	
12/24-hour clock format	-
Splash Back	No
Island Trim	No
Simmering	No
Cooling Fan	Yes
Cavity Enameling Color	Gray
Oven Lights	1 x Round light
Adjustable Feet	Yes
Anti-tip (tilting) bracket	Yes
Bottom Compartment	Flap
Fuel Type	Electric
LPG Conversion Kit	-
OVEN DOOR(S)	
Oven Glass Window	Full Glass
Door Cooling System	3 Pane Heat Resistant Glass(fixed)
Net Capacity cu. ft.	2.51 cu. ft.
Bottom Heating Element Wattage	1200W
Upper Heating Element Wattage	2200W
Convection Element Wattage	-
Low Grill (Broil)	1100W
Grill (Broil)	2200W
ACCESSORIES / OVEN CAVITY	
Rack Positions	5 levels
Telescopic Pull-out Shelf System	-
Pyrolytic Self Cleaning	No
Sabbath Mode	No
Broiler Pan	No
Wok adapter	-
Chromed racks	2
COOKTOP	
Zone Configuration	4 Vitroceramic
Front Left	7" - 1800 W
Rear Left	5.5" - 1200 W
Front Right	5.5" - 1200 W
Rear Right	7" - 1800 W
Central	-
Pan Support Type	-
Pan Support Quantity	-
Gas Safety Device for hob	-
Gas Safety Device for oven	-
DIMENSIONS/WEIGHT	
Required cutout dim (H x W x D) (in)	36" x 24" x 24"
Overall dim - height	36"
Overall dim - width	23 9/16"
Overall dim - depth	25 3/4"
Weight (lb./kg)	153 lbs./69.5 kg
POWER / RATINGS	
KW/Amps rating at 240V, 60Hz	120-240V-60Hz
Supply Cord & Plug	Canada
Cable	No
INSTRUCTIONS FOR USE	
Use & Care Manual	EN, SP, FR
Installation Manual	EN, SP, FR

\*Canada model (BERC24200SS) has 4 prong power supply cord

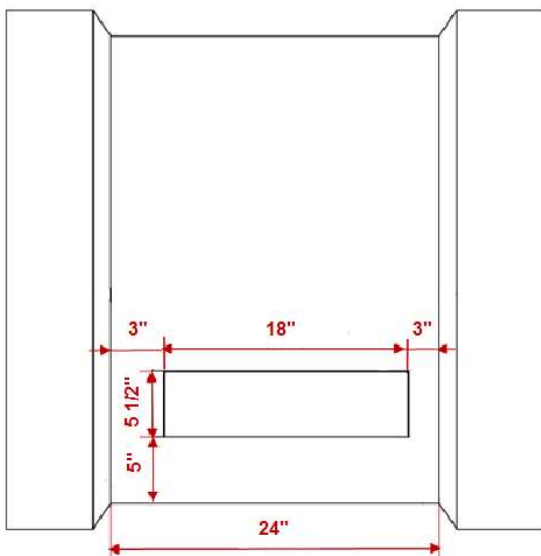
## 24 INCH FREESTANDING ELECTRIC RANGE

BERU24200SS / BERG24200SS

### Dimensions and Installation



#### Cabinet



**Required minimum air gap clearances: 1/4" sides**

NOTE TO THE INSTALLER: All height, width and depth dimensions are shown in inches (as well as metric). Beko US Inc. reserves the absolute and unrestricted right to change product materials and specifications, at any time, without notice. Please visit our website [www.blombergappliances.us](http://www.blombergappliances.us) or call 888 352 2356 to verify the latest specifications with final dimensional data and other details prior to installation and making a cutout. Applicable product limited warranty information may be found in accompanying product materials or you may contact your account manager for further details. Proper installation is the responsibility of the installer. Product failure due to improper installation is not covered under the Limited Warranty.